

Product Detail



Product Line:	Johnson (Click for customer service)
Part Number:	105-1103-001
Description:	Horizontal Test Jack - Insulated Miniature
Product Family:	TEST JACK
Body Material:	Nylon 6/6 per ASTM D4066
Breakdown Voltage:	2100 Vrms min.
Color / Finish:	Black
Contact Material:	Copper aluminum alloy
Contact Finish:	Silver
Contact Termination:	Solder
Current:	5 amps
Desc 2:	Horizontal
Description:	Miniature
For Use With:	.080 (2.00) Tip Plug
RoHS Compliant:	Yes

20070523-1523

Horizontal Test Jack Insulated Miniature

SPECIFICATIONS

Contact: Copper aluminum alloy*

Finish: Silver

Body: Nylon 6/6 per ASTM D4066

RATINGS

Current: 5 amps

Breakdown Voltage: 2100 Vrms minimum +

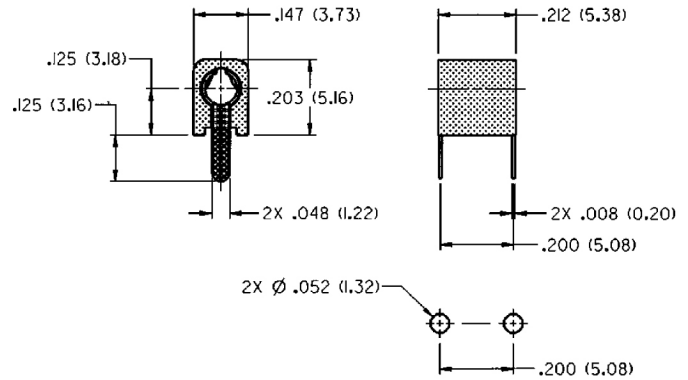
Contact Resistance: 0.010 ohms maximum

Adjacent Jack C: 1 pF maximum at 1 MHz



JOHNSON Components™

INCHES (MILLIMETERS)
CUSTOMER DRAWINGS AVAILABLE UPON REQUEST



SILVER PLATING	
PART NO.	COLOR
105-1103-001	Black

For Standard Tip Plug: .080 (2.00) Diameter

FEATURES:

- Contact protected from flux and solder
 - Probe access from both ends
 - Nylon UL approved for self extinguishing
- * A new material development that, for this application, meets or exceeds beryllium copper.

MOUNTING HOLE LAYOUT